

# TPR Series Subminiature Tact Switch for SMT

## Features/Benefits

- 4 actuation forces
- G terminations
- N.O. and N.C.
- Detect type available
- Rubber actuator
- IP50 sealed
- RoHS compliant and compatible

## Typical Applications

- Automotive
- Medical equipment
- Industrial electronics
- Smart meters



B

Tactile Switches

## Specification

FUNCTION: momentary action  
CONTACT ARRANGEMENT: Normally Open  
TERMINALS: Gullwing type for SMT

## Mechanical

Type	Operating force Newtons (grams)	Operating life (operations)	Travel (mm)
TPR211G LFS / TPR213G LFG	1,5 < 1,85 (185) < 2,2	100,000	0,25 ± 0,15
TPR221G LFS / TPR223G LFG	1,9 < 2,25 (225) < 2,6	100,000	0,3 ± 0,15
TPR231G LFS / TPR233G LFG	2,25 < 3,00 (300) < 3,75	100,000	0,35 ± 0,15
TPR251G LFS / TPR253G LFG	3,4 < 4,50 (450) < 5,6	100,000	0,5 ± 0,15
TPR221G NC LFS	1,5 < 2,25 (225) < 3	30,000	0,3 ± 0,15
TPR223G NC LFG	1,5 < 2 (200) < 2,5	30,000	0,3 ± 0,15

## Electrical

	Silver	Gold
MAXIMUM POWER:	1 VA	0.2 VA
MAXIMUM VOLTAGE:	32 VDC	32 VDC
MINIMUM VOLTAGE:	20 mV	20 mV
MAXIMUM CURRENT DC:	50 mA	10 mA
MINIMUM CURRENT DC:	1 mA	1 mA

CONTACT RESISTANCE: ≤ 100 mΩ  
INSULATION RESISTANCE: (100 V): 1G Ω (between terminals)  
BOUNCE TIME: 1 ms max.

## Environmental

	Silver	Gold
OPERATING TEMPERATURE:	-40°C to 85°C	-40°C to 125°C
STORAGE TEMPERATURE:	-55°C to 85°C	-55°C to 125°C

Overload: 20 Newtons  
Detect switch versions are available. Please see Detect chapter  
TPR2D/M series.

## Packaging

Switches are delivered on continuous tape, in reels of 2,500 pieces.

## Process

SOLDERING: Compatible with lead free reflow soldering process.

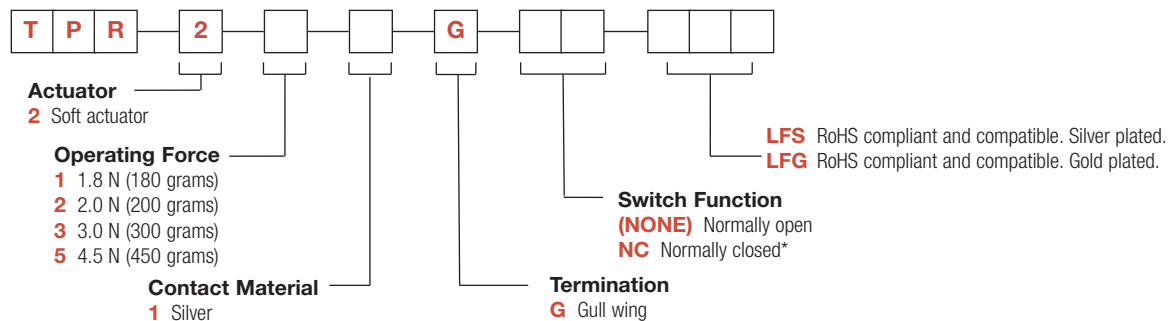
**NOTE:** Specifications listed above are for switches with standard options.  
For information on specific and custom switches, consult Customer Service Center.

## How To Order

Our easy build-a-switch concept allows you to mix and match options to create the switch you need. To order, select desired option from each category and place it in the appropriate box.

However, please note that all the combinations of these options are not feasible.

For any part number different from those listed above, please consult your local representative.



Dimensions are shown: mm  
Specifications and dimensions subject to change

WWW.ROCPU.COM

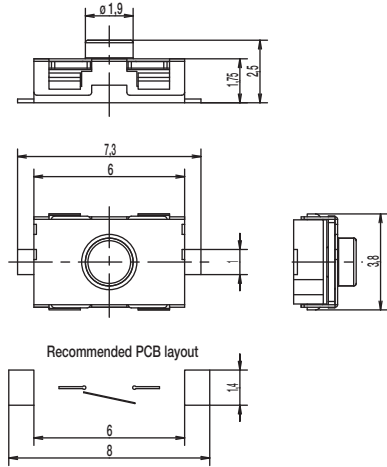
# TPR Series Subminiature Tact Switch for SMT

TRR

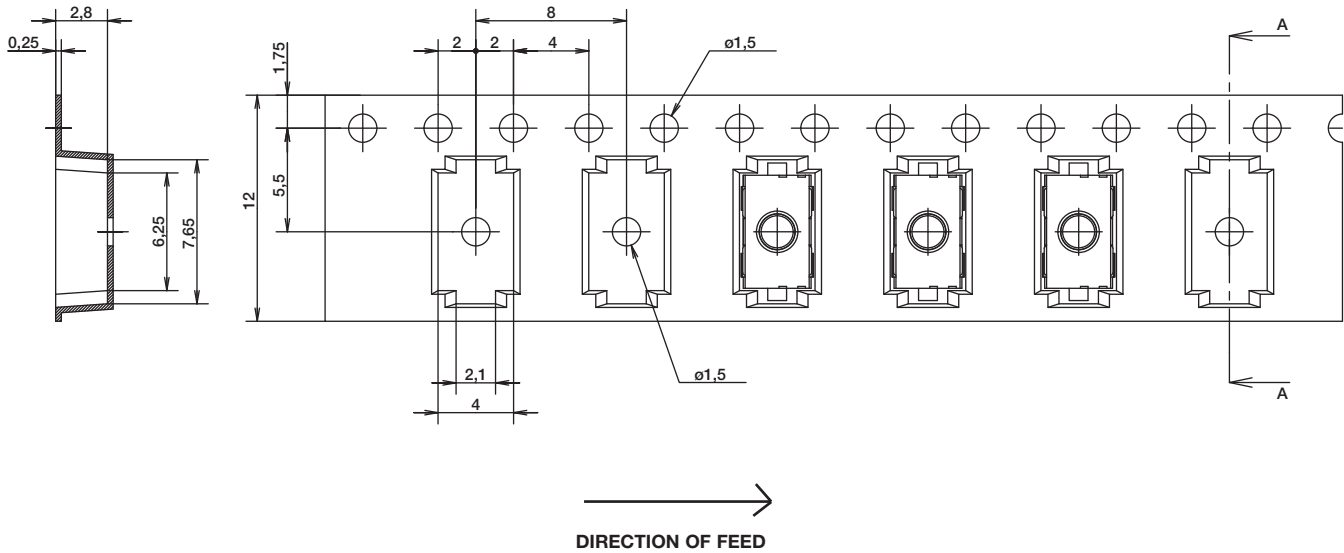


B

Tactile Switches



## TAPE & REEL



Dimensions are shown: mm  
Specifications and dimensions subject to change

WWW.ROCPCU.TW

# TPR Long Life-200,000 cycles-Gold and Silver Series Subminiature Tact Switch for SMT

## Features/Benefits

- 4 actuation forces
- G terminations
- N.O.
- Detect type available
- Rubber actuator
- IP50 sealed
- RoHS compliant and compatible

## Typical Applications

- Automotive
- Medical equipment
- Industrial electronics



Tactile Switches

## Specification

FUNCTION: momentary action  
CONTACT ARRANGEMENT: Normally Open  
TERMINALS: Gullwing type for SMT

## Mechanical

Type	Operating force(Fa) Newtons (grams)	Operating life (operations)	Travel (mm)
<b>Silver versions</b>			
TPR212G LFS	1,5 < 1,85 (185) < 2,2	200,000	0,25 ± 0,15
TPR222G LFS	1,9 < 2,25 (225) < 2,6	200,000	0,3 ± 0,15
TPR232G LFS	2,25 < 3,00 (300) < 3,75	200,000	0,35 ± 0,15
TPR252G LFS	3,4 < 4,50 (450) < 5,6	200,000	0,5 ± 0,15
<b>Gold versions</b>			
TPR214G LFS	1,5 < 1,85 (185) < 2,2	200,000	0,25 ± 0,15
TPR224G LFS	1,9 < 2,25 (225) < 2,6	200,000	0,3 ± 0,15
TPR234G LFS	2,25 < 3,00 (300) < 3,75	200,000	0,35 ± 0,15
TPR254G LFS	3,4 < 4,50 (450) < 5,6	200,000	0,5 ± 0,15

OVERLOAD: 20 Newtons

## Packaging

Switches are delivered on continuous tape, in reels of 2,500 pieces.

## Electrical

	Silver	Gold
MAXIMUM POWER:	1 VA	0.2 VA
MAXIMUM VOLTAGE:	32 V dc	32 V dc
MINIMUM VOLTAGE:	20 m Vdc	20 m Vdc
MAXIMUM CURRENT DC:	50 mA	10 mA
MINIMUM CURRENT DC:	1 mA	1 mA

CONTACT RESISTANCE: ≤ 100 m Ω  
INSULATION RESISTANCE (100 V): 1 G Ω (between terminals)  
BOUNCE TIME: 1 ms max

## Environmental

	Silver	Gold
OPERATING TEMPERATURE:	-40°C to 85°C	-40°C to 125°C
STORAGE TEMPERATURE:	-55°C to 85°C	-55°C to 125°C

## Process

SOLDERING: Compatible with lead free reflow soldering process.

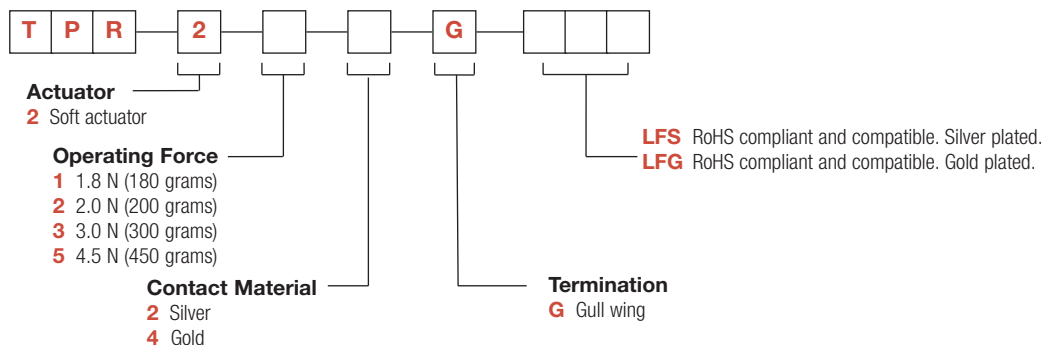
**NOTE:** Specifications listed above are for switches with standard options.  
For information on specific and custom switches, consult Customer Service Center.

## How To Order

Our easy build-a-switch concept allows you to mix and match options to create the switch you need. To order, select desired option from each category and place it in the appropriate box.

**However, please note that all the combinations of these options are not feasible.**

**For any part number different from those listed above, please consult your local representative.**



Dimensions are shown: mm  
Specifications and dimensions subject to change

WWW.ROCPU.COM

